

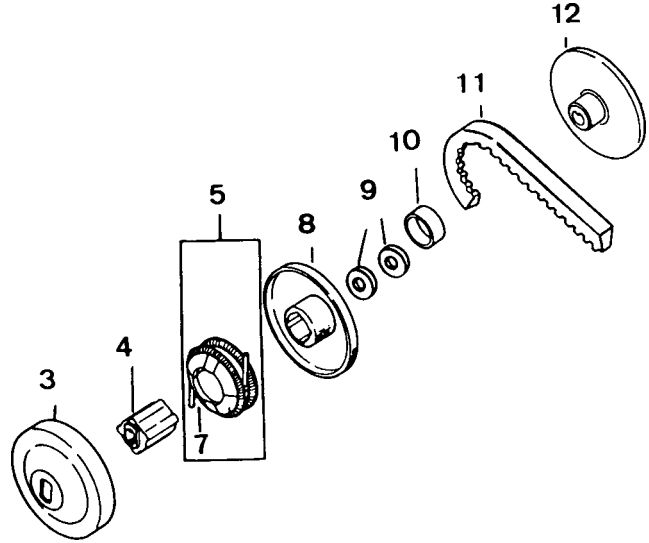
COMET TORQUE CONVERTERS

ORDER TOLL FREE!

1-800-676-6636

COMET 20 SERIES DRIVER UNITS

SYSTEM: MODEL 20 SERIES
TYPE: SYMMETRICAL (26 DEGREE)
RECOMMENDED H.P.
MAX: 8 H.P. 2 CYCLE
MAX: 8 H.P. 4 CYCLE
DRIVE BELT: 3/4" TOP WIDTH SYMMETRICAL TYPE
DRIVE CLUTCH BORE SIZES:
 3/4", 1" (3/16- 1/4 KEY)
DRIVE CLUTCH ENGAGEMENT RANGE:
MIN: 1200 RPM **MAX:** 3100 RPM
DRIVEN UNIT DIA. 6" OR 7"
 5/8" OR 3/4" BORE (3/16 KEY)
3/4" BORE DRIVER UNIT



Part No	Description	Racer Net
---------	-------------	-----------

CC219559A 3/4" Bore driver \$ 69.18

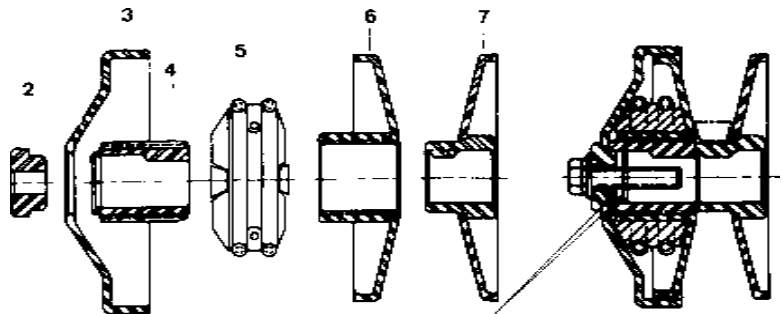
PARTS LIST

Ref#	Part No.	Description	Racer Net
3	CC219204A	Drum	\$ 8.86
4	CC200376A	Hub driver 3/4" ID (3/16 key)	10.04
5	CC200344A	Shoe driver assembly	26.30
7	CC11188A	Spring, garter (blue)	6.95
8	CC200351A	Face, movable w/splined hub	19.33
9	CC200836A	Washer, belt spacer	7.09
10	CC200349A	Bushing, bronze	5.75
11		SEE BELT SECTION	
12	CC202064A	Fixed sheave 3/4" bore (3/16 key)	25.12

1" bore Driver Unit

Part No	Description	Racer Net
---------	-------------	-----------

CC219560A 1" Bore driver unit \$ 95.13



PARTS LIST

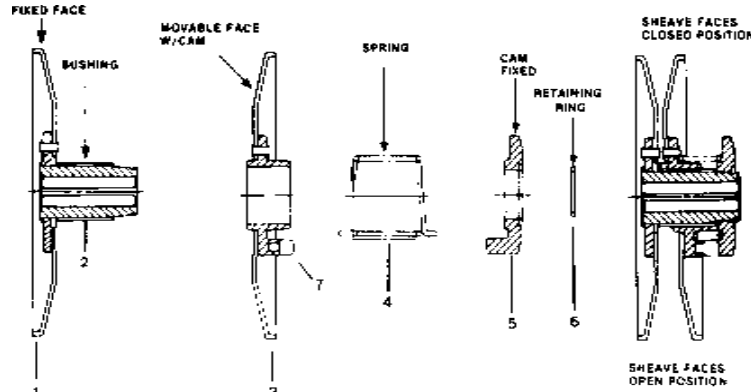
Ref#	Part No.	Description	Racer Net
2	CC202429A	Washer, pilot	\$ 11.46
3	CC202427A	Drum	9.41
4	CC203641A	Sleeve, splined (1/4 key)	33.11
5	CC200344A	Shoe driver assembly	26.30
6	CC203637A	Face, movable w/splined hub	26.30
7	CC219571A	Face, fixed (1/4 Key)	29.85

COMET TORQUE CONVERTERS

ORDER TOLL FREE!

1-800-676-6636

COMET 20 SERIES DRIVEN UNITS



Part No	Description	Racer Net
CC219459A	5/8" bore, 6" dia. driven	\$ 79.38
CC219463A	3/4" bore, 6" dia. driven	79.38
CC219461A	5/8" bore, 7" dia. driven	79.38
CC219462A	3/4" bore, 7" dia. driven	79.38

PARTS LIST (6" DRIVEN UNITS)

PARTS LIST (7" DRIVEN UNITS)

Ref#	Part No.	Description	Racer Net
1	CC219474A	Face, fixed w/post 5/8 bore (3/16 keyway)	\$ 37.45
1	CC219475A	Face, fixed w/post 3/4 bore (3/16 keyway)	37.45
2	CC203942A	Bushing	5.75
3	CC219468A	Face, movable w/cam	32.80
4	CC215698A	Spring, coil (blue)	6.95
5	CC215650A	Cam, fixed 20 degree	12.92
6	CC204714A	Ring, retaining	5.00
7	CC204332A	Button, insert	3.68

Ref#	Part No.	Description	Racer Net
1	CC219476A	Face, fixed w/post 5/8 bore (3/16 keyway)	\$ 37.45
1	CC219477A	Face, fixed w/post 3/4 bore (3/16 keyway)	37.45
2	CC203942A	Bushing	5.75
3	CC219469A	Face, movable w/cam	32.80
4	CC215698A	Spring, coil (blue)	6.95
5	CC215650A	Cam, fixed 20 degree	12.92
6	CC204714A	Ring, retaining	5.00
7	CC204332A	Button, insert	3.68

COMET 20 SERIES BELTS

Part No.	Description					Racer Net
	NUMBER on BELT	C.D. SETTING 6" dia.	C.D. SETTING 7" dia.	BELT O.C.	FRACTIONAL EQUIV.	
CC203578A	884-70	6 15/16 - 7	NO FIT	27.36	27 23/64	\$ 23.95
CC203579A	884-75	7 1/8 - 7 3/16	6 1/4 - 6 5/16	28.32	28 21/64	23.95
CC203580A	884-80	7 9/16 - 7 5/8	6 13/16 - 6 7/8	29.28	29 9/32	23.95
CC203581A	884-85	8 3/16 - 8 1/4	7 5/16 - 7 3/8	30.25	30 1/4	23.95
CC203582A	884-90	8 11/16 - 8 3/4	7 3/4 - 7 13/16	31.23	31 15/64	23.95
CC203583A	884-95	9 3/16 - 9 1/4	8 5/16 - 8 3/8	32.20	32 13/64	23.95
CC203584A	884-100	9 5/8 - 9 11/16	8 3/4 - 8 13/16	33.18	33 11/64	30.95
CC203585A	884-105	9 15/16 - 10	9 3/16 - 9 1/4	33.78	33 25/32	23.95
CC203586A	884-115	10 3/4 - 10 13/16	9 3/16 - 9 7/8	35.14	35 9/64	23.95
CC203587A	884-120	11 11/16 - 11 3/4	10 15/16 - 11	37.11	37 7/64	23.95
CC203588A	884-130	13 1/16 - 13 1/8	12 1/8 - 12 3/16	39.77	39 25/32	23.95

PRICES SUBJECT TO CHANGE WITHOUT NOTICE

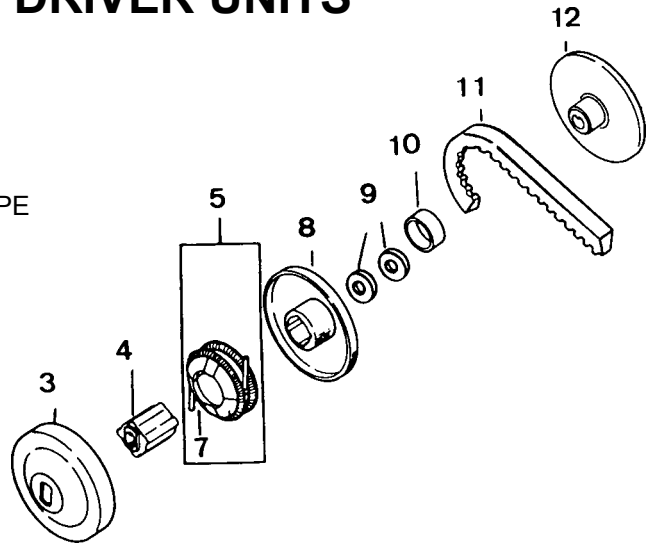
COMET TORQUE CONVERTERS

ORDER TOLL FREE!

1-800-676-6636

COMET 30 SERIES DRIVER UNITS

SYSTEM: MODEL 30 SERIES
TYPE: ASYMMETRICAL (20 1/2 DEGREE)
RECOMMENDED H.P.
MAX: 8 H.P. 2 CYCLE
MAX: 8 H.P. 4 CYCLE
DRIVE BELT: 3/4" TOP WIDTH ASYMMETRICAL TYPE
DRIVE CLUTCH BORE SIZES:
 3/4", 1" (3/16- 1/4 KEY)
DRIVE CLUTCH ENGAGEMENT RANGE:
MIN: 1200 RPM **MAX:** 3100 RPM
DRIVEN UNIT DIA. 6" OR 7"
 5/8" OR 3/4" BORE (3/16 KEY)
3/4" BORE DRIVER UNIT



Part No	Description	Racer Net
CC219552A	3/4" Bore driver	\$ 69.18

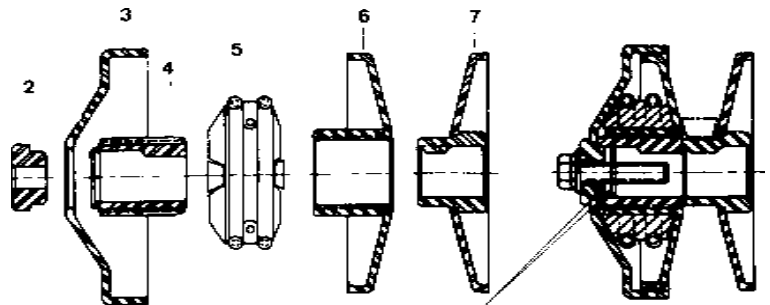
PARTS LIST

Ref#	Part No.	Description	Racer Net
3	CC219204A	Drum	\$ 8.86
4	CC200376A	Hub driver 3/4" ID (3/16 key)	10.04
5	CC200344A	Shoe driver assembly	26.30
7	CC11188A	Spring, garter (blue)	6.95
8	CC219205A	Face, movable w/splined hub	19.33
9	CC200836A	Washer, belt spacer	7.09
10	CC200349A	Bushing, bronze	5.75
11		SEE BELT SECTION	
12	CC202066A	Fixed sheave 3/4" bore (3/16 key)	21.11

1" bore Driver Unit

Part No	Description	Racer Net
CC219554A	1" Bore driver unit	\$ 90.60

PARTS LIST

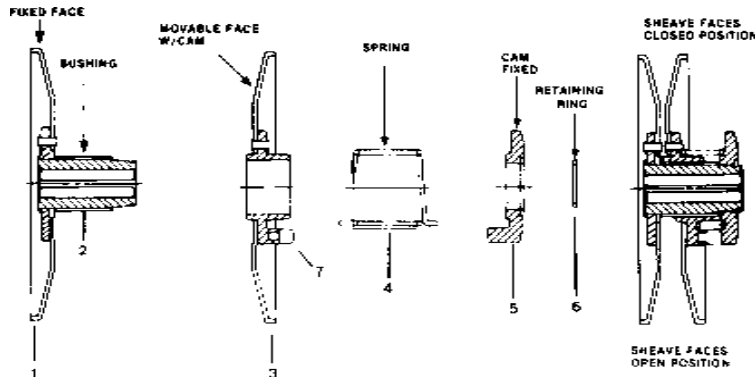


Ref#	Part No.	Description	Racer Net
2	CC202429A	Washer, pilot	\$ 11.46
3	CC202427A	Drum	9.41
4	CC203641A	Sleeve, splined (1/4 key)	33.11
5	CC200344A	Shoe driver assembly	26.30
6	CC203515A	Face, movable w/splined hub	26.15
7	CC219562A	Face, fixed (1/4 Key)	41.82

COMET TORQUE CONVERTERS

ORDER TOLL FREE!
1-800-676-6636

COMET 30 SERIES DRIVEN UNITS



Part No	Description	Racer Net
CC219456A	5/8" bore, 6" dia. driven	\$ 72.57
CC219465A	3/4" bore, 6" dia. driven	79.38
CC219457A	5/8" bore, 7" dia. driven	72.57
CC219464A	3/4" bore, 7" dia. driven	79.38

PARTS LIST (6" DRIVEN UNITS)

PARTS LIST (7" DRIVEN UNITS)

Ref#	Part No.	Description	Racer Net	Ref#	Part No.	Description	Racer Net
1	CC219470A	Face, fixed w/post 5/8 bore (3/16 keyway)	\$ 37.45	1	CC219472A	Face, fixed w/post 5/8 bore (3/16 keyway)	\$ 37.45
1	CC219471A	Face, fixed w/post 3/4 bore (3/16 keyway)	37.45	1	CC219473A	Face, fixed w/post 3/4 bore (3/16 keyway)	37.45
2	CC203942A	Bushing	5.75	2	CC203942A	Bushing	5.75
3	CC219467A	Face, movable w/cam	32.80	3	CC219467A	Face, movable w/cam	32.80
4	CC215699A	Spring, coil (green)	6.95	4	CC215699A	Spring, coil (blue)	6.95
5	CC215650A	Cam, fixed 20 degree	12.92	5	CC215650A	Cam, fixed 20 degree	12.92
6	CC204714A	Ring, retaining	5.00	6	CC204714A	Ring, retaining	5.00
7	CC204332A	Button, insert	3.68	7	CC204332A	Button, insert	3.68

COMET 30 SERIES BELTS

Part No.	Description		Belt		Racer Net
	NUMBER on BELT	C.D. SETTING 6" dia.	7" dia.	O.C.	FRACTIONAL EQUIV.
CC203589	994-70	6 15/16 - 7	NO FIT	27.36	27 23/64 \$ 23.95
CC203590	994-75	7 1/8 - 7 3/16	6 1/4 - 6 5/16	28.32	28 21/64 23.95
CC203591	994-80	7 9/16 - 7 5/8	6 13/16 - 6 7/8	29.28	29 9/32 23.95
CC203592	994-85	8 3/16 - 8 1/4	7 5/16 - 7 3/8	30.25	30 1/4 23.95
CC203593	994-90	8 11/16 - 8 3/4	7 3/4 - 7 13/16	31.23	31 15/64 23.95
CC203594	994-95	9 3/16 - 9 1/4	8 5/16 - 8 3/8	32.20	32 13/64 23.95
CC203595	995-100	9 5/8 - 9 11/16	8 3/4 - 8 13/16	33.18	33 11/64 23.95
CC203596	995-105	9 15/16 - 10	9 3/16 - 9 1/4	33.78	33 25/32 23.95
CC203597	995-110	10 3/4 - 10 13/16	9 3/16 - 9 7/8	35.14	35 9/64 20.66
CC203598	995-120	11 11/16 - 11 3/4	10 15/16 - 11	37.11	37 7/64 24.75
CC203599	995-130	13 1/16 - 13 1/8	12 1/8 - 12 3/16	39.77	39 25/32 27.95

PRICES SUBJECT TO CHANGE WITHOUT NOTICE

COMET TORQUE CONVERTERS

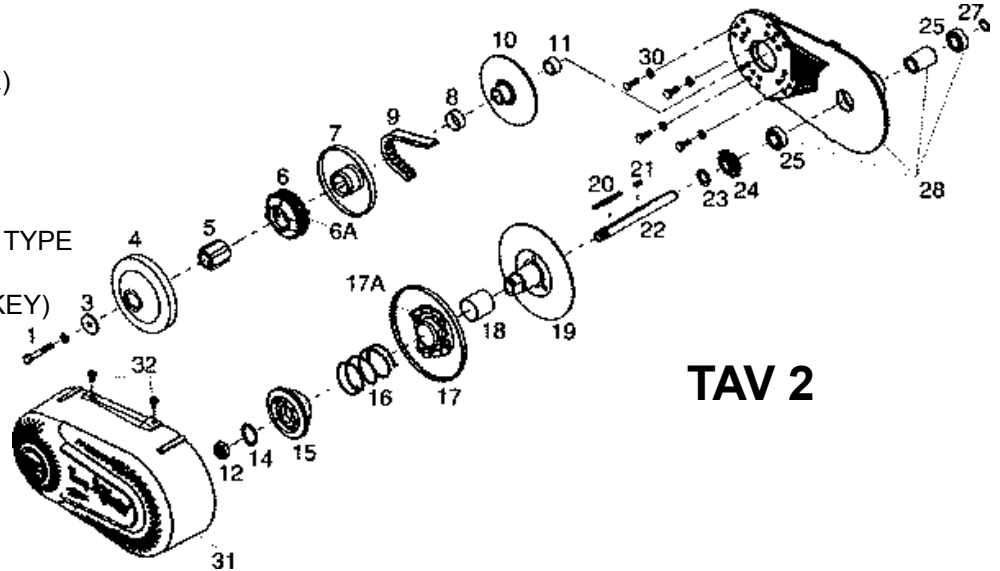
ORDER TOLL FREE!

1-800-676-6636

COMET TORQ-A-VERTER

SYSTEM: TAV 2 SERIES
TYPE: ASYMMETRICAL
 (20 1/2 DEGREE)

RECOMMENDED H.P.
MAX: 8 H.P. 2 CYCLE
MAX: 8 H.P. 4 CYCLE
DRIVE BELT: 3/4" TOP
 WIDTH ASYMMETRICAL TYPE
DRIVE CLUTCH BORE
SIZES: 3/4", 1" (3/16- 1/4 KEY)
DRIVE CLUTCH
ENGAGEMENT RANGE:
 2200 RPM
DRIVEN UNIT DIA. 6"



TAV 2

COMPLETE UNIT

Part No	Description	Racer Net
CC218352A	12 tooth 3/4" bore (#35)	\$ 189.95
CC218353A	10 tooth 3/4" bore (#40/41)	189.95
CC218354A	12 tooth 1" bore (#35)	209.95
CC218355A	10 tooth 1" bore (#40/41)	209.95

REPLACEMENT DRIVER UNIT

Part No	Description	Racer Net
CC219552A	3/4" bore driver	\$ 69.18
CC219554A	1" bore driver	95.13

REPLACEMENT DRIVEN UNIT

Part No	Description	Racer Net
CC219456A	5/8" bore 6" driven unit	\$ 72.57

THE **HARDWARE** BELOW IS INCLUDED TO MOUNT YOUR DRIVE CLUTCH TO YOUR ENGINE. IT IS IMPORTANT THAT YOU USE THE CORRECT BOLT AND WASHERS TO FIT YOUR ENGINE.

PARTS LIST

Ref#	Part No.	Description	Racer Net
1	CC205384A	3/8" - 24 x 2" mounting bolt (Tav 2-100)	\$ 3.68
3	CC200840A	5/16" ID pilot washer (Tav 2-75)	4.26
3	CC202429A	3/8" ID pilot washer (Tav 2-100)	11.46
4	CC202427A	Drum, driver (Tav 2-100)	9.41
5	CC200376A	Hub, driver 3/4" ID- 4 splined	10.04
5	CC203641A	Hub driver, 1" ID - 8 splined	33.11

COMET TORQUE CONVERTERS

(CONTINUED PARTS LIST)

ORDER TOLL FREE!
1-800-676-6636

Ref#	Part No.	Description	Racer Net
6	CC200344A	Driver weight assembly with springs	\$26.30
6a	CC11188A	Spring, blue (set of 2)	6.95
7	CC219205A	Sheave, movable half with hub, 3/4" bore	19.33
7	CC203515A	Sheave, movable half w/splined hub, 1" bore	26.15
8	CC200349A	Bushing, bronze (not used on Tav 2-100)	5.75
9	CC203589A	7" belt, asymmetric	23.95
10	CC219278A	Sheave, stationary, 2 1/2, 3/4" ID	21.11
11	CC200389A	Spacer, 3/4" ID	8.31
11	CC202877A	Spacer, 1" ID	12.84
12	CC203189A	Jam nut, 5/8-18 x 3/8"	4.95
14	CC204714A	Ring retaining	5.00
15	CC215650A	Cam fixed	12.92
16	CC215699A	Spring, green	6.95
17a	CC204332A	Button, insert	3.68
18	CC203942A	Bushing	5.75
20	CC209831A	3/16" sq. x 2 1/4" key	4.26
21	CC11059A	3/16" sq. x 9/16" key	5.75
22	CC212225A	5/8" dia. jackshaft-6/38" long	17.64
23	CC200834A	Washer, 5/8" ID, 1" OD	4.25
24	CC200379A	Sprocket 12 tooth - 35 P	17.09
24	CC202168A	Sprocket 10 tooth - 40/41P	22.40
25	CC215558A	Ball bearing	14.65
27	CC212227A	Ring, retaining	3.02
28	CC218525A	Mounting Bracket w/bearings and spacer	76.86
31	CC218351A	Shroud Plastic with Decals	28.59

Part No.	Description					Racer Net
	NUMBER on BELT	C.D. SETTING 6" dia.	7" dia.	BELT O.C.	FRACTIONAL EQUIV.	
CC200419A	883-70	6 15/16 - 7	NO FIT	27.36	27 23/64	\$ 23.95
CC200420A	883-75	7 1/8 - 7 3/16	6 1/4 - 6 5/16	28.32	28 21/64	23.95
CC200421A	883-80	7 9/16 - 7 5/8	6 13/16 - 6 7/8	29.28	29 9/32	23.95
CC200422A	883-85	8 3/16 - 8 1/4	7 5/16 - 7 3/8	30.25	30 1/4	23.95
CC200423A	883-90	8 11/16 - 8 3/4	7 3/4 - 7 13/16	31.23	31 15/64	23.95
CC200424A	883-95	9 3/16 - 9 1/4	8 5/16 - 8 3/8	32.20	32 13/64	23.95
CC200425A	883-100	9 5/8 - 9 11/16	8 3/4 - 8 13/16	33.18	33 11/64	23.95
CC202683A	883-110	10 3/4 - 10 13/16	9 3/16 - 9 7/8	35.14	35 9/64	23.95

PRICES SUBJECT TO CHANGE WITHOUT NOTICE